

MH SNK EF MOC

MANHATTAN Tap Range

Manhattan Easyfit Mono Sink Mixer
Mocca



Features:

- Long life and easy to use 1/4 turn ceramic disc valves
- Metal fixing nut for added durability
- Easyfit base included
- Flexible tails included

Product Certifications:



WRAS Cert. Number: 1507950
WRAS Expiry Date: 31/07/2020



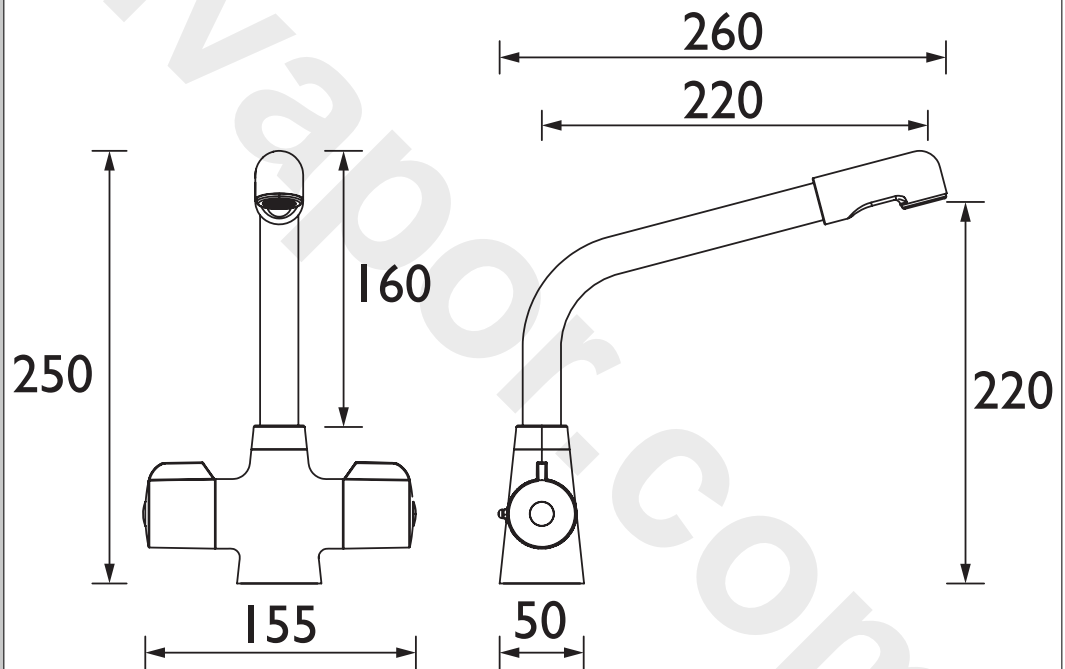
For more products, visit our website:
<http://www.bristan.com>



Specification

Product Type:	Kitchen Taps
Main Construction Material:	Brass
Mount Type:	Deck Mounted
Handle Type:	Lever Handles
Connection Inlet:	1/2" BSP Flexible Tails
Connection Outlet:	M24 Flow Straightener
Number of Tap Holes:	1
Valve/Cartridge Type:	1/2" Ceramic Disc Valve
Plumbing System Requirements:	Suitable for all plumbing systems
Minimum Dynamic Pressure:	0.3
Maximum Dynamic Pressure:	5.0
Maximum Hot Water Temperature: °C	65
Maximum Static Pressure: (bar)	10
Flow Type:	Single Flow
Isolation Included:	Yes

Dimensions (measurements in mm)



Flow Rates (l/min)

System Pressure (bar)	0.3	0.5	1	2	3	5
MH SNK EF MOC	10.6	13.7	18.8	27.2	33.6	43.4

TECHNICAL DATA SHEET



BRISTAN

D5